

RCP SERIES

ROTARY SWITCH



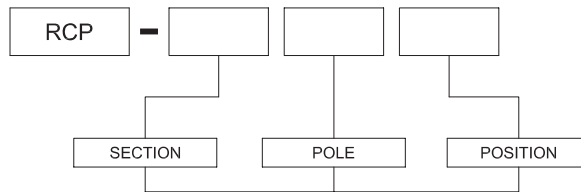
Feature - multi-sections and multi-poles

Application - multi-circuitry in communication products equipments, broadcast system data switch, monitor switching

► SPECIFICATIONS

SWITCH SPECIFICATIONS	
POLE - POSITION	2P12T , Multi - sections and multi - poles
CONTACT RATING	30 V DC , 500 mA
CONTACT RESISTANCE	25 mΩ MAX. 1 AC KHz±200Hz voltage / current less than 20Mv / 50mA or DC 5V 1A1.5 V DC ; 100 mA , by Method of Voltage DROP
INSULATION RESISTANCE	100 MΩ MIN. 500 V DC for 1 minute
DIELECTRIC STRENGTH	Breakdown is not Allowable ; 500 V AC for 1 Minute
OPERATING FORCE	1 ± 0.5 Kgf.cm
OPERATING LIFE	10,000 cycles
OPERATING TEMPERATURE RANGE	-20°C ~ 70°C

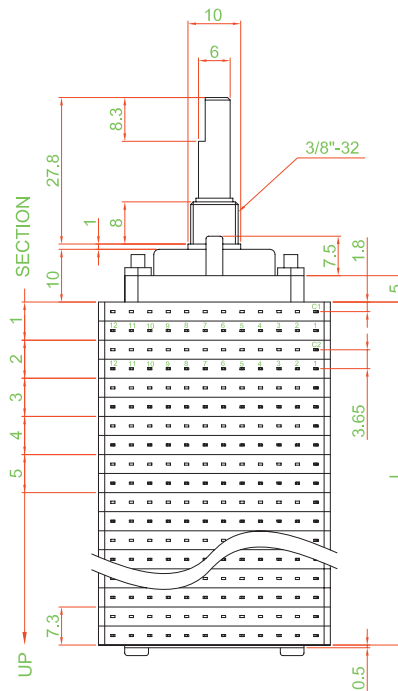
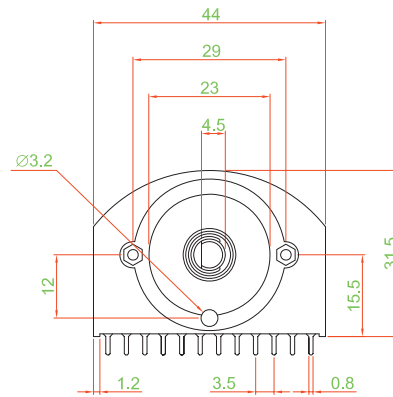
► HOW TO ORDER



SECTION (1~12)	POLE	POSITION (2~12)	BODY LENGTH (L)	SECTION (1~12)	POLE	POSITION (2~12)	BODY LENGTH (L)
1	6	2	7.3	6	36	2	43.8
	4	3			24	3	
	3	4			28	4	
	2	5-6			12	5-6	
	1	7-12			6	7-12	
2	12	2	14.6	7	42	2	51.1
	8	3			28	3	
	6	4			21	4	
	4	5-6			14	5-6	
3	2	2	21.9	9	36	3	65.7
	12	3			27	4	
	9	4			18	5-6	
	6	5-6			9	7-12	
4	24	2	29.2	12	36	4	87.6
	16	3			24	5-6	
	9	4			12	7-12	
	8	5-6					
5	4	7-12	36.5	12 UP		2	-
	30	2				3	
	20	3				4	
	15	4				5-6	
	10	5-6				7-12	



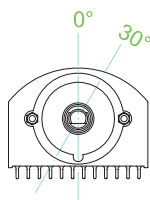
► DIMENSION



► RCP

► SCHEMATIC

TRAVEL	SWITCHING POSITION
0°	C1 - 1 C7 - 1
	C2 - 3 C8 - 3
	C3 - 5 C9 - 5
	C4 - 7 C10 - 7
	C5 - 9 C11 - 9
	C6 - 11 C12 - 11
30°	C1 - 2 C7 - 2
	C2 - 4 C8 - 4
	C3 - 6 C9 - 6
	C4 - 8 C10 - 8
	C5 - 10 C11 - 10
	C6 - 12 C12 - 12



► MATERIAL

- COVER : STEEL PLATE
- SHAFT : BRASS
- TERMINAL : SILVER PLATING

► UNIT WEIGHT

- RCP-2-2 : 51.5 ± 1 g / pc